

Octanorm Shell Scheme Specification

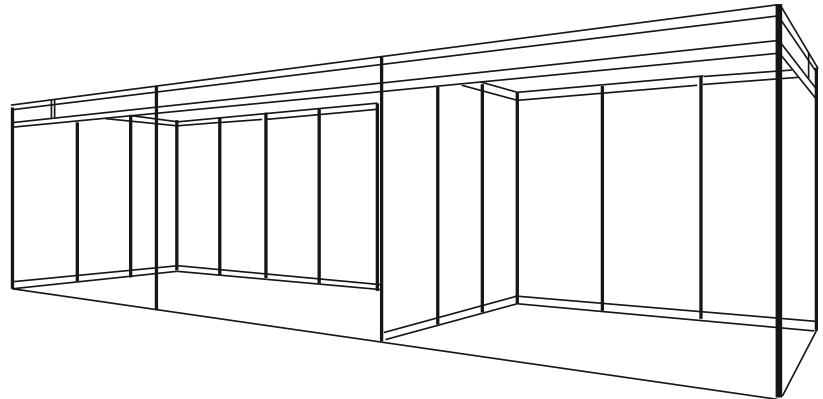
Basic Shell Scheme:

Name Panel

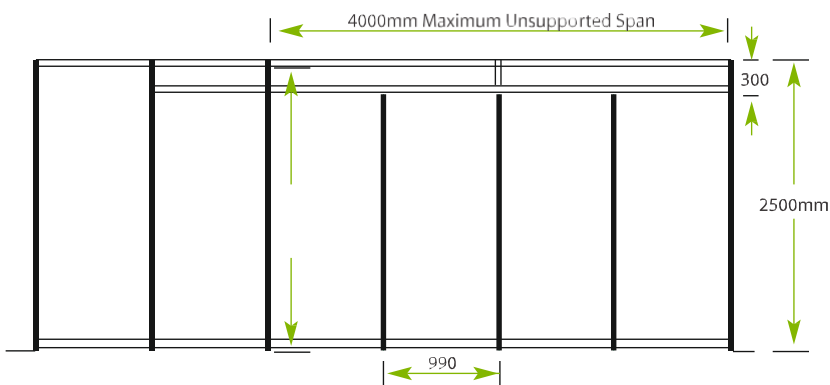
Fascia

Modular wall panels (white)

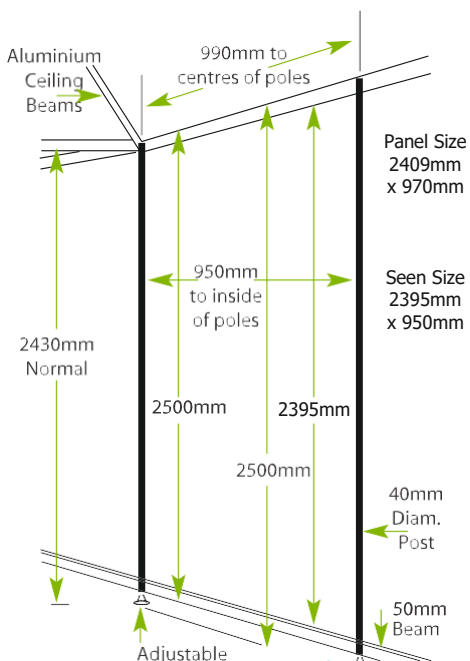
Intermediate support on all frontages in excess of 4m
of 4m Corner support



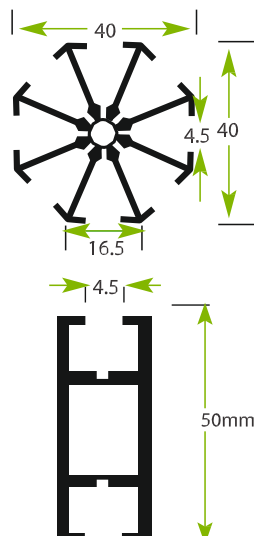
Shell Dimensions:



Panel Dimensions:



Post & Beam Sections:



Fascia Support:

